

**METER  
ENGINEERS**

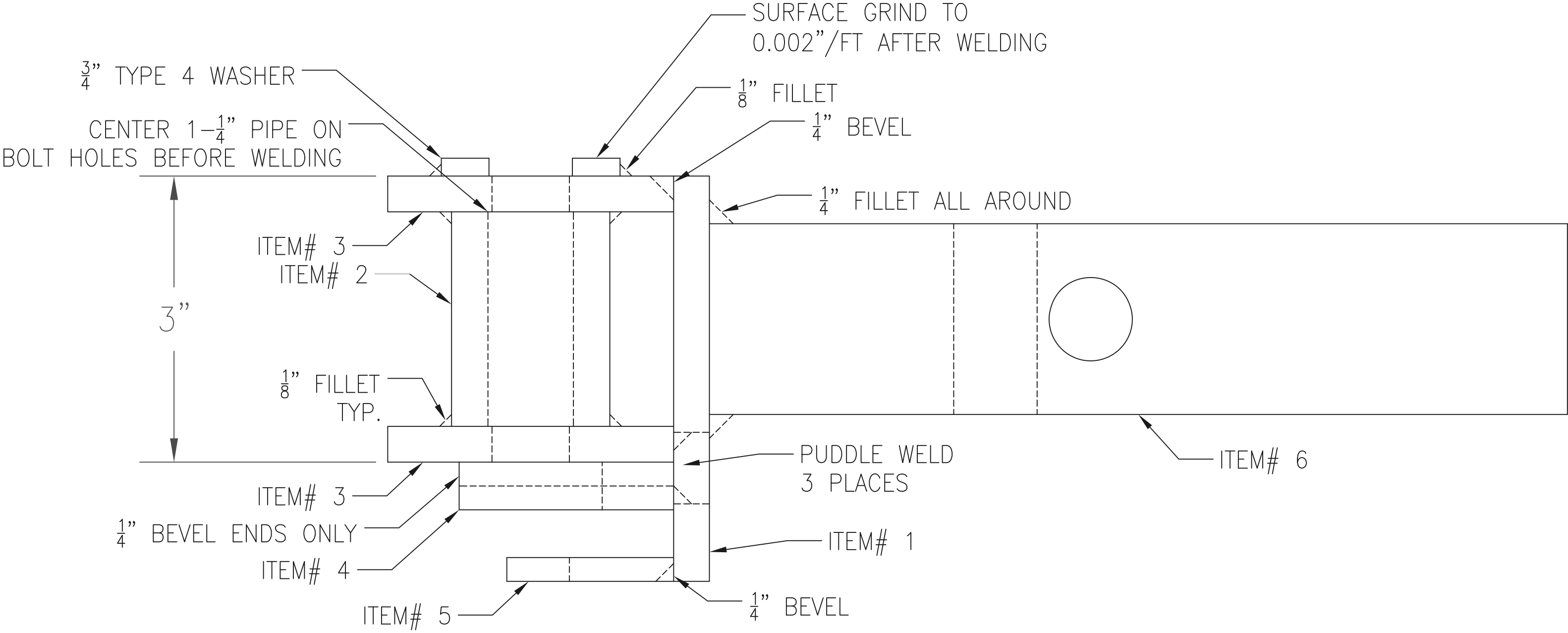
1600 E Tigua  
Kechi, Kansas 67067

TITLE  
**HEX TECHNOLOGY**

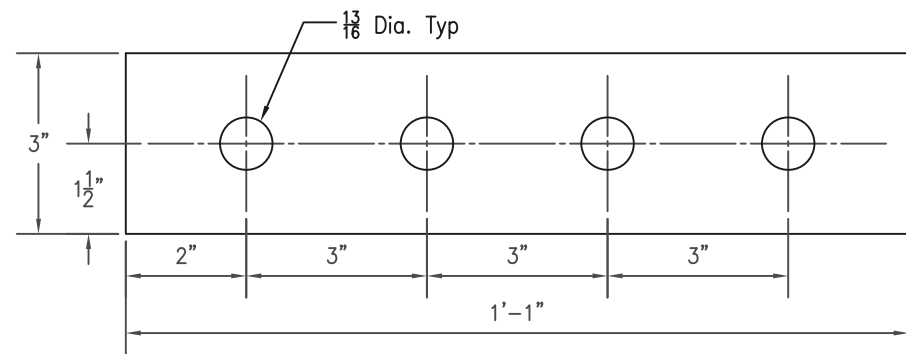
DRAWING NO.  
**FLANGED DEMO UNIT**

PROJECT NO. <b>EST</b>	SHT <b>5 of 5</b>	SCALE <b>1/2</b>
---------------------------	----------------------	---------------------

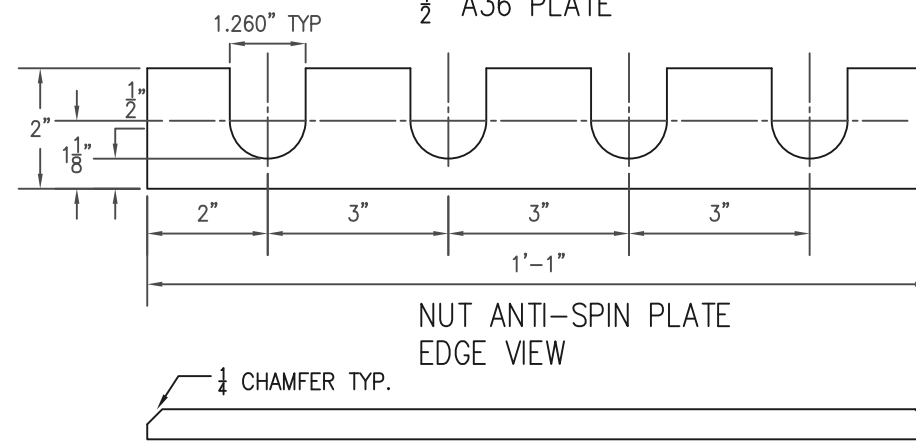
# OVERALL ASSEMBLY



TOP & BOTTOM PLATE  
ITEM# 3  
QTY. 2 RQD  
 $\frac{3}{8}$ " A36 PLATE

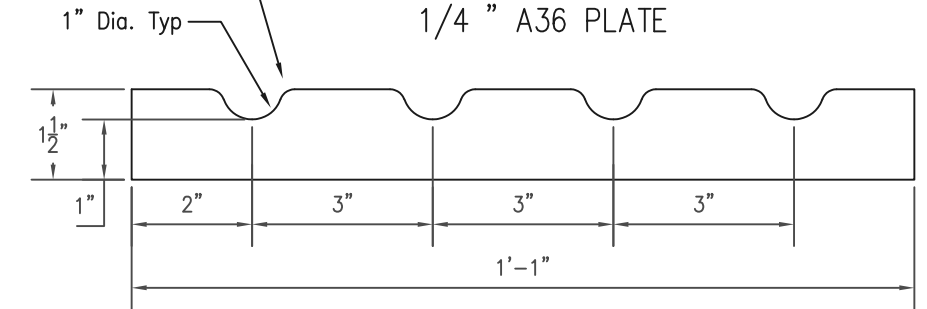


NUT ANTI-SPIN PLATE  
ITEM# 4  
QTY. 1 RQD  
 $\frac{1}{2}$ " A36 PLATE

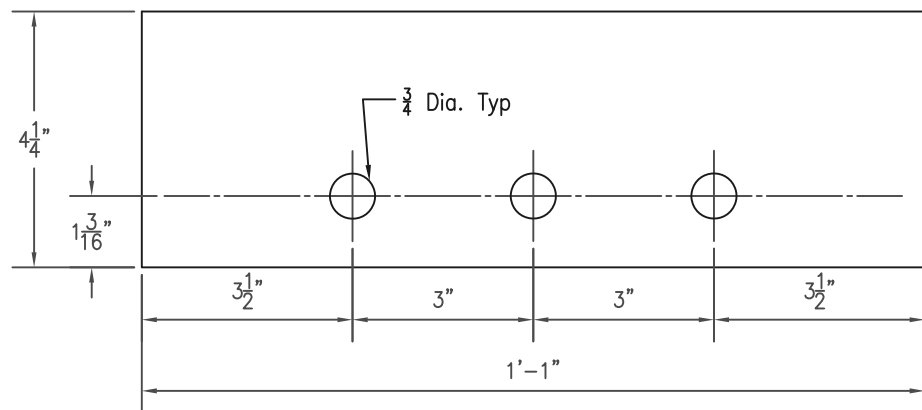


BREAK SHARP EDGES  
TO  $\frac{1}{4}$ " DIA. TYP.

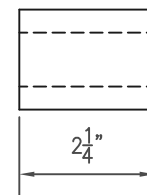
STUD HOLD PLATE  
ITEM# 5  
QTY. 1 RQD  
 $\frac{1}{4}$ " A36 PLATE



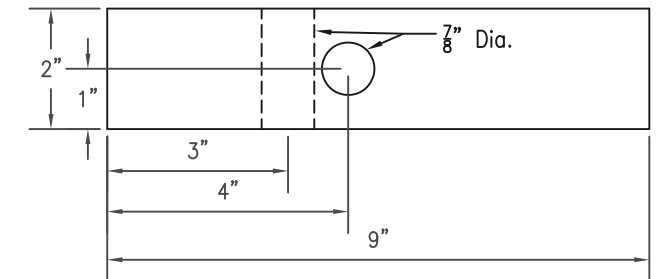
BACK SUPPORT PLATE  
ITEM# 1  
QTY. 1 RQD  
 $\frac{3}{8}$ " A36 PLATE

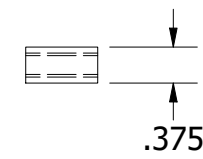
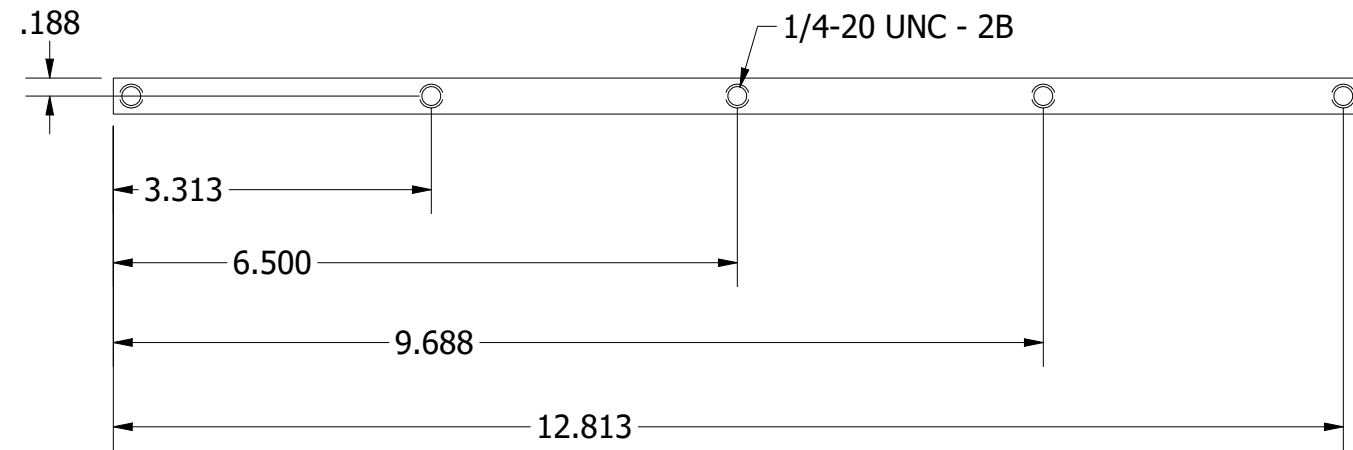
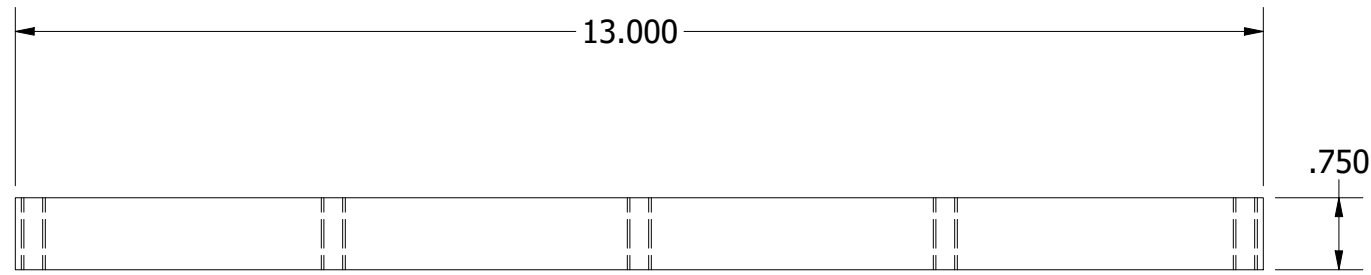



STUD SPACER PIPES  
ITEM# 2  
QTY. 4 RQD  
1- $\frac{1}{4}$ " XXS PIPE

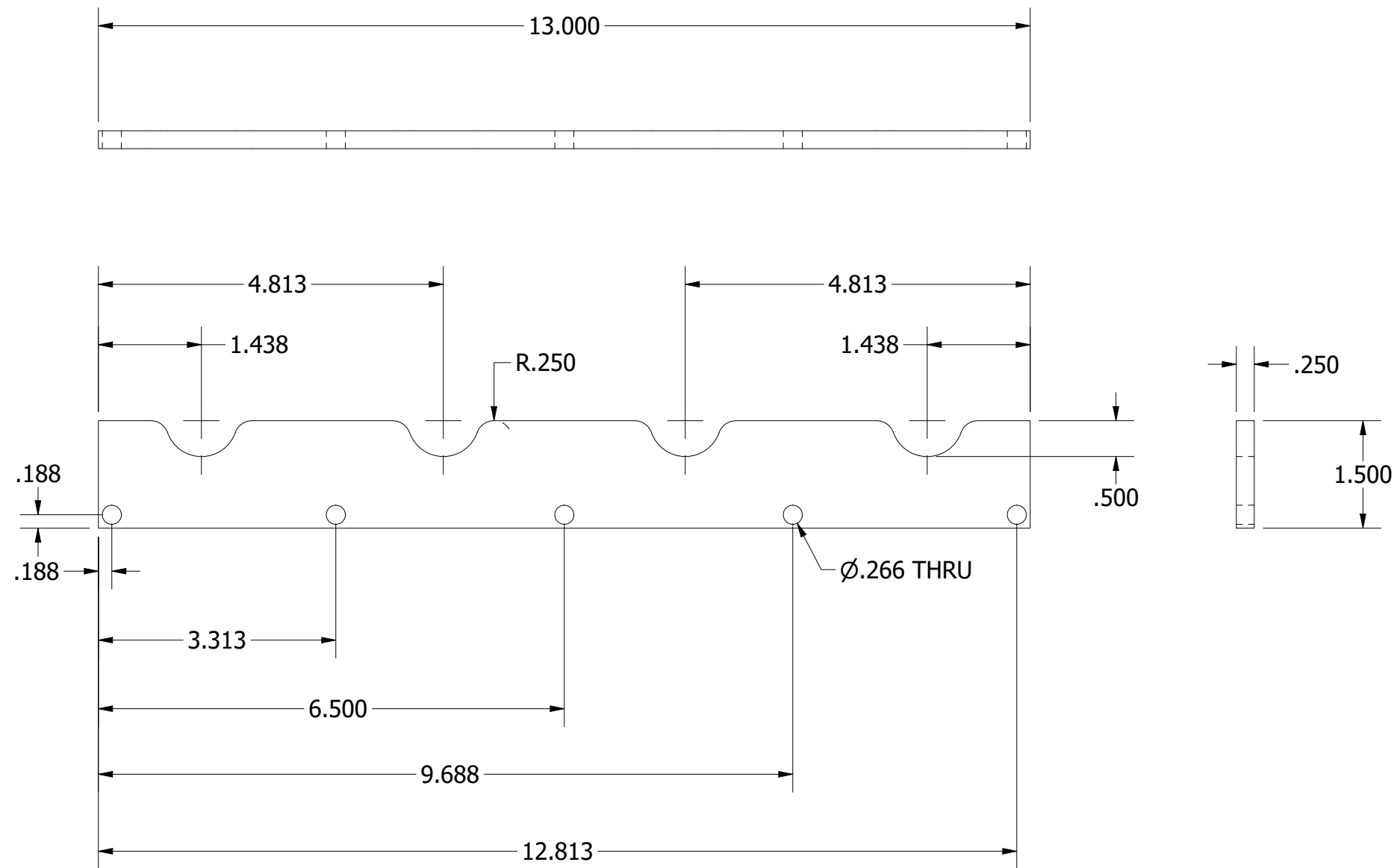



RCVR MOUNT  
ITEM# 6  
QTY. 1 RQD  
2"x2"x $\frac{1}{4}$ " SQ TUBE

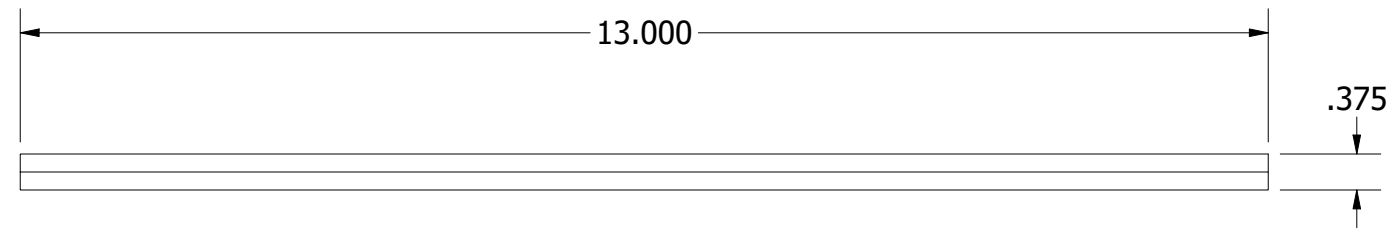





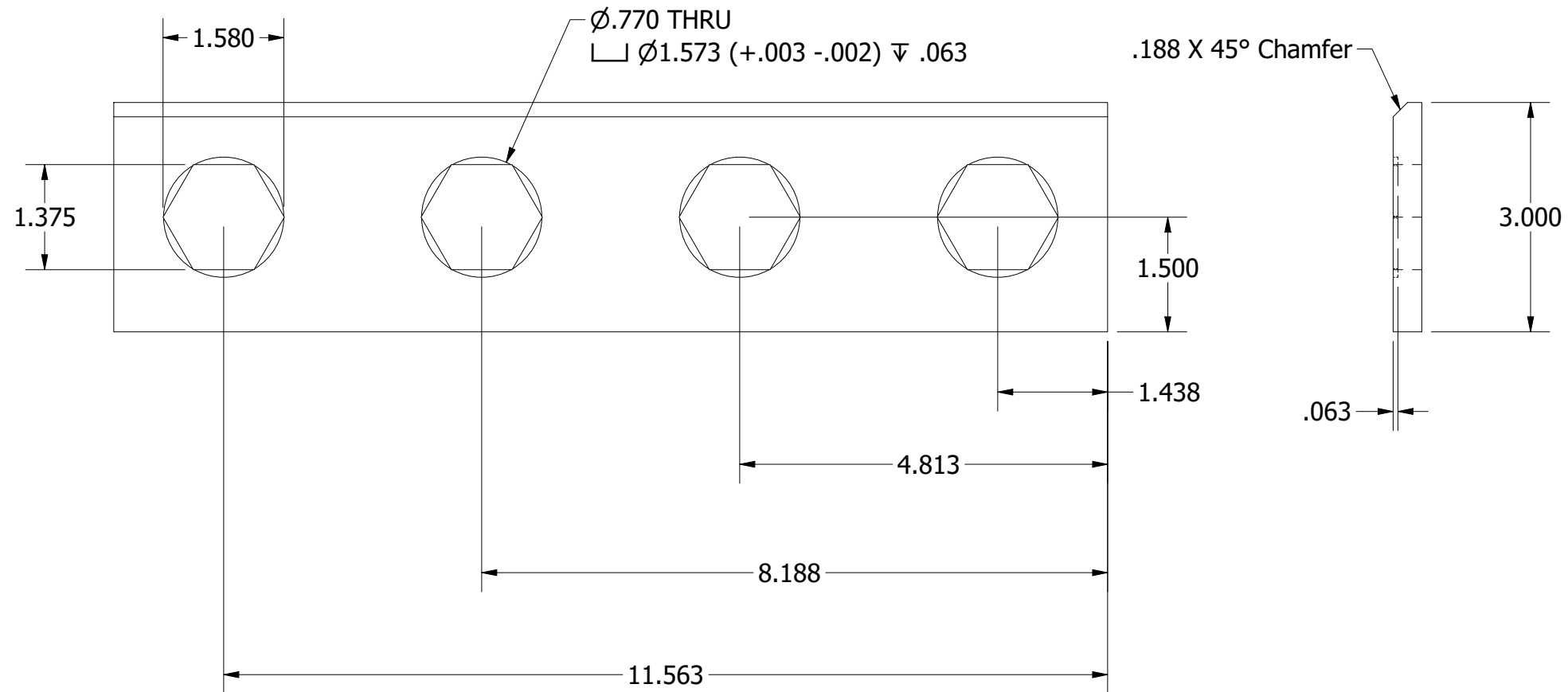
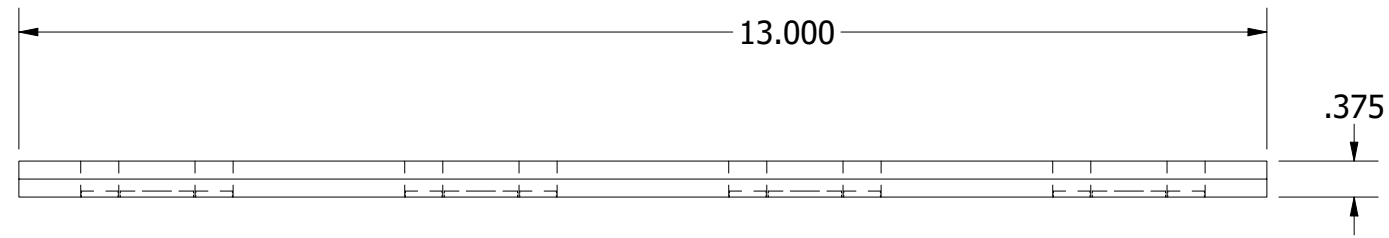
REV	CHKD	APPD	DATE	DESCRIPTION
A	SPD	SPD	9/21/20	ISSUED FOR FABRICATION
 <b>METER ENGINEERS</b> 1600 E Tigua Kechi, Kansas 67067				MATERIAL: 3/8" CARBON STEEL
				TITLE 3-BOLT K-FACTOR SYSTEM
				DRAWING NO. BOLT HOLD SPACER
PROJECT NO.				SHT 1 of 1
				SCALE 1 / 2




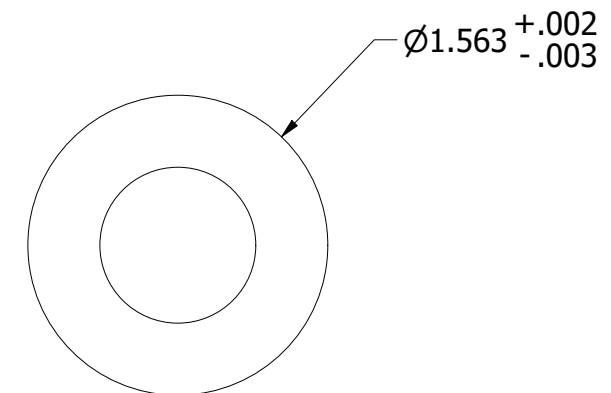
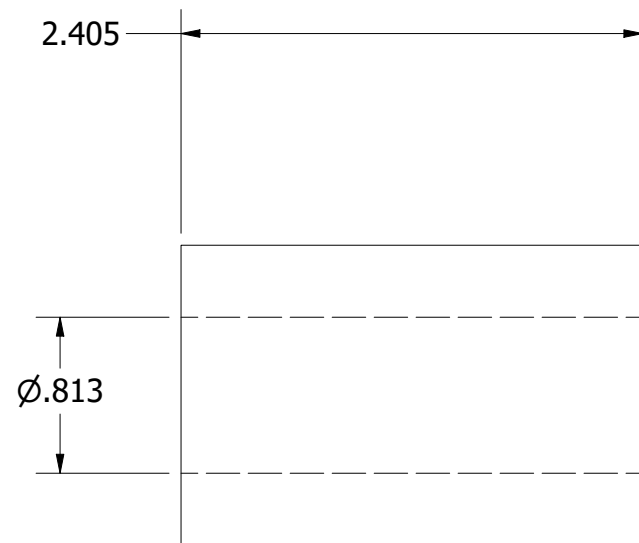
REV	CHKD	APPD	DATE	DESCRIPTION
A	SPD	SPD	9/21/20	ISSUED FOR FABRICATION
 <b>METER ENGINEERS</b> 1600 E Tigua Kechi, Kansas 67067				MATERIAL: 1/4" CARBON STEEL
				TITLE 3-BOLT K-FACTOR SYSTEM
				DRAWING NO. BOLT HOLD
PROJECT NO.				SHT 1 of 1
				SCALE 1 / 2




REV	CHKD	APPD	DATE	DESCRIPTION
A	SPD	SPD	9/21/20	ISSUED FOR FABRICATION
 <b>METER ENGINEERS</b> 1600 E Tigua Kechi, Kansas 67067				MATERIAL: 3/8" CARBON STEEL
				TITLE 3-BOLT K-FACTOR SYSTEM
				DRAWING NO. LOAD CELL BACK PLATE
PROJECT NO.				SHT 1 of 1
				SCALE 1 / 2

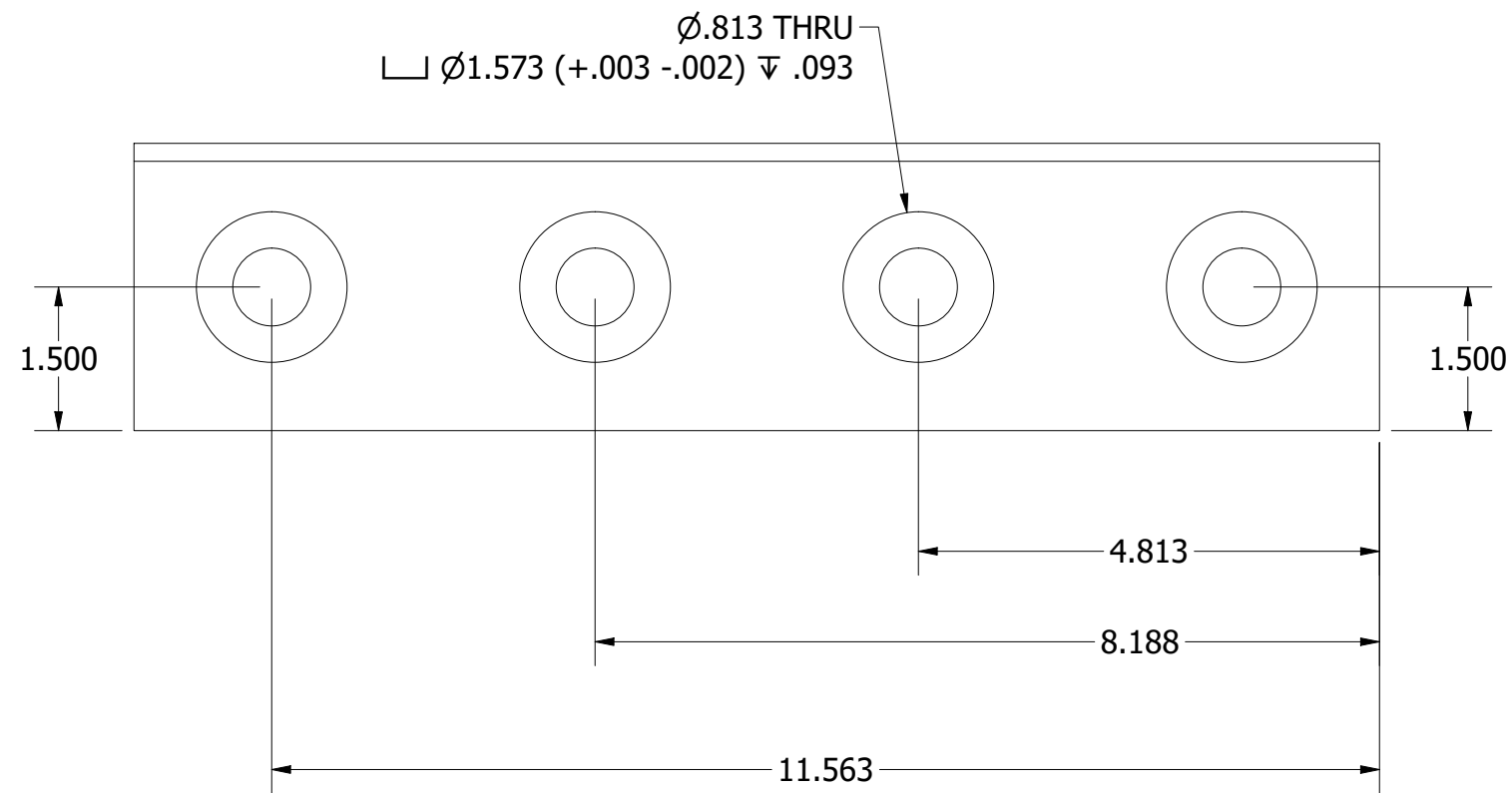
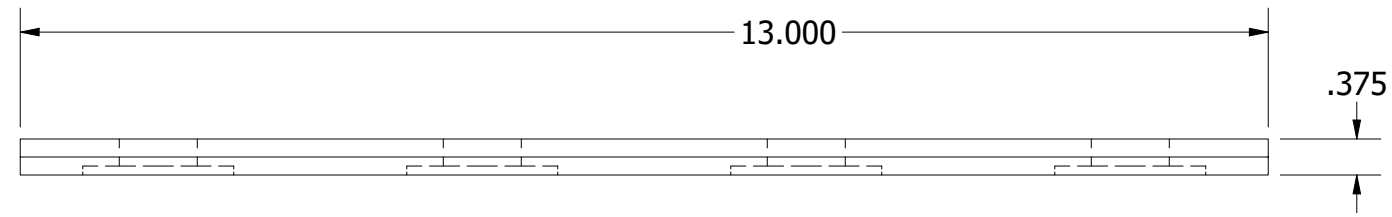



REV	CHKD	APPD	DATE	DESCRIPTION
A	SPD	SPD	9/21/20	ISSUED FOR FABRICATION
 <b>METER ENGINEERS</b> 1600 E Tigua Kechi, Kansas 67067				MATERIAL: 3/8" CARBON STEEL
				TITLE 3-BOLT K-FACTOR SYSTEM
DRAWING NO.				LOAD CELL BOTTOM PLATE
PROJECT NO.				SHT 1 of 1 SCALE 1 / 2



REV	CHKD	APPD	DATE	DESCRIPTION
A	SPD	SPD	9/21/20	ISSUED FOR FABRICATION
 <b>METER ENGINEERS</b> 1600 E Tigua Kechi, Kansas 67067				MATERIAL: CARBON STEEL
				TITLE 3-BOLT K-FACTOR SYSTEM
				DRAWING NO. LOAD CELL CYLINDER
				PROJECT NO.
				SHT 1 of 1
				SCALE 1 : 1





REV	CHKD	APPD	DATE	DESCRIPTION
A	SPD	SPD	9/21/20	ISSUED FOR FABRICATION
 <b>METER ENGINEERS</b> 1600 E Tigua Kechi, Kansas 67067				MATERIAL: 3/8" CARBON STEEL
				TITLE 3-BOLT K-FACTOR SYSTEM
				DRAWING NO. LOAD CELL TOP PLATE
PROJECT NO.				SHT 1 of 1
				SCALE 1 / 2