

**METER
ENGINEERS**

1600 E Tigua
Kechi, Kansas 67067

TITLE

HEX TECHNOLOGY

DRAWING NO.

FLANGED DEMO UNIT

PROJECT NO.

EST

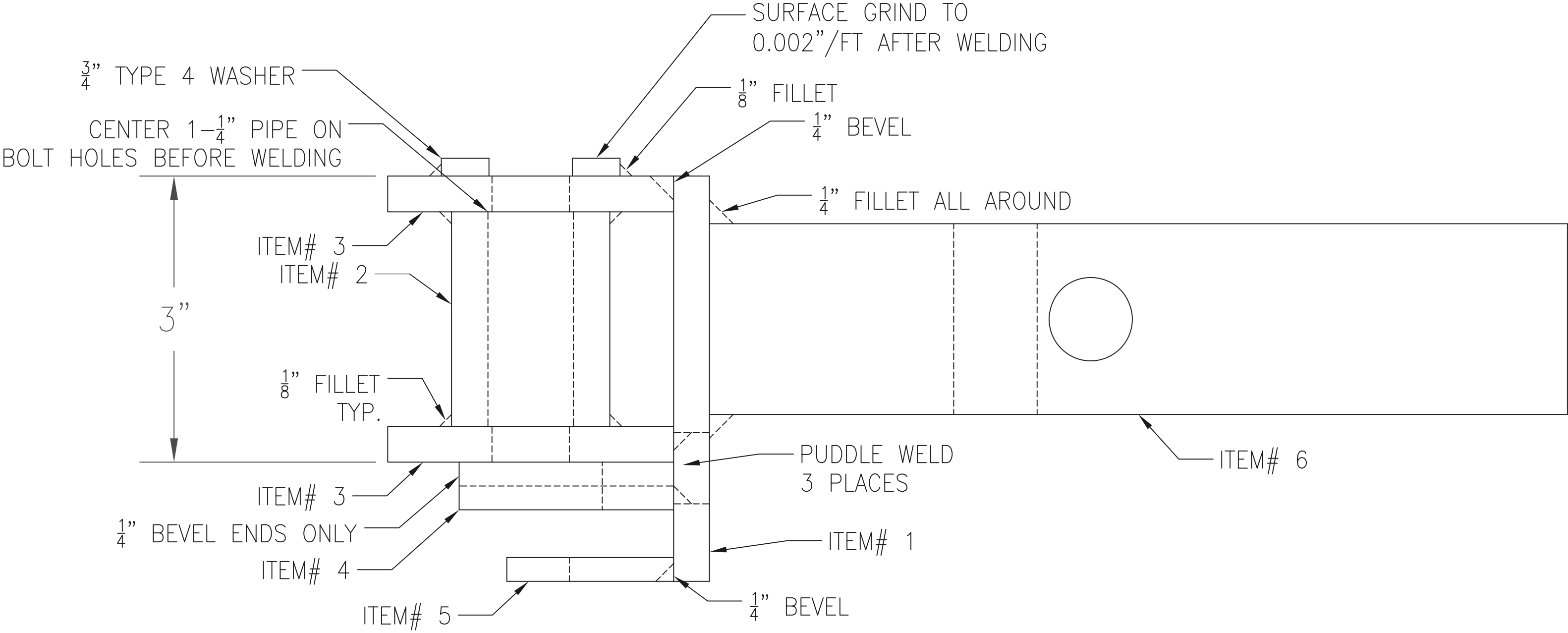
SHT

5 of 5

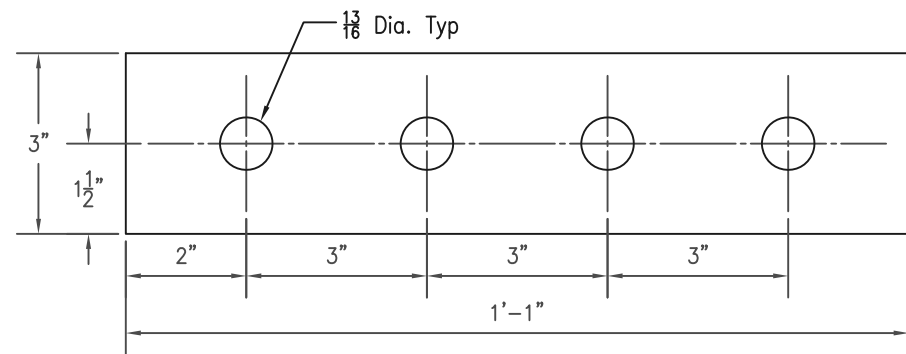
SCALE

1/2

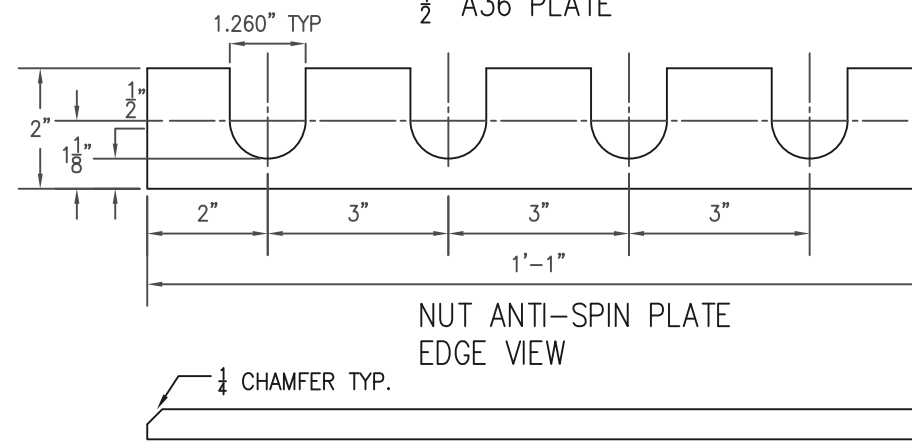
OVERALL ASSEMBLY



TOP & BOTTOM PLATE
 ITEM# 3
 QTY. 2 RQD
 3/8" A36 PLATE

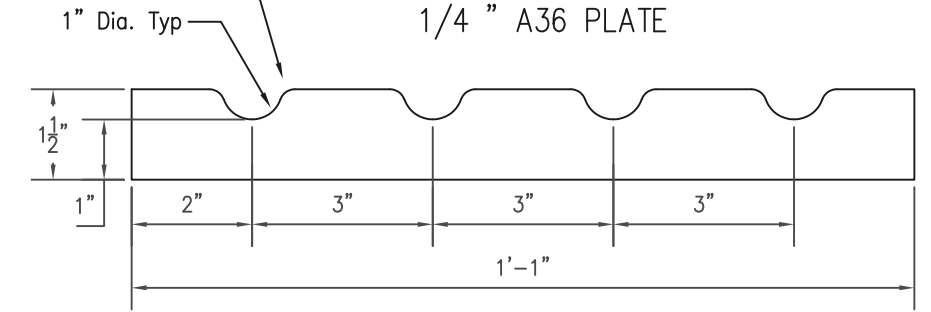


NUT ANTI-SPIN PLATE
 ITEM# 4
 QTY. 1 RQD
 1/2" A36 PLATE

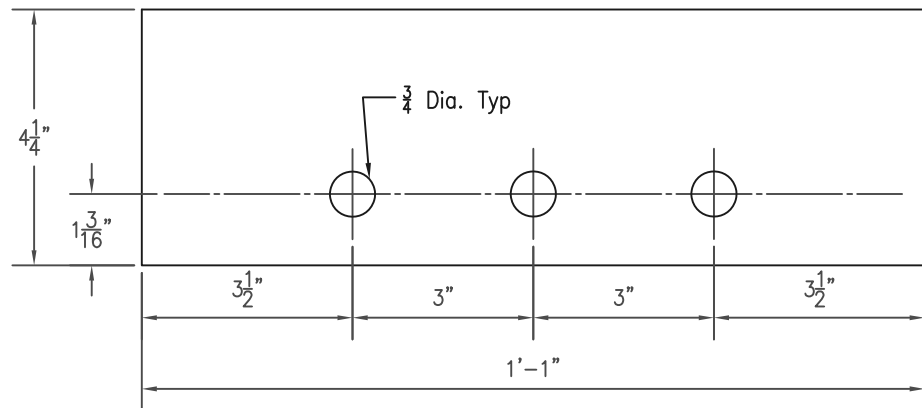


BREAK SHARP EDGES
 TO 1/4" DIA. TYP.

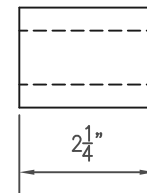
STUD HOLD PLATE
 ITEM# 5
 QTY. 1 RQD
 1/4" A36 PLATE



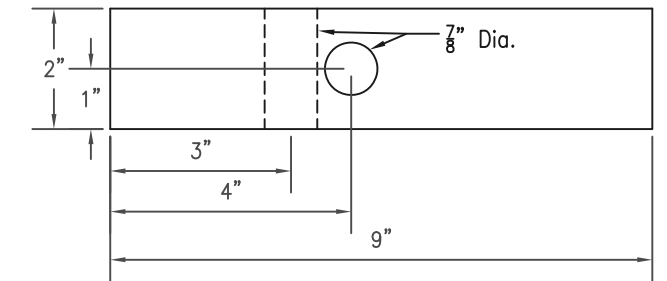
BACK SUPPORT PLATE
 ITEM# 1
 QTY. 1 RQD
 3/8" A36 PLATE

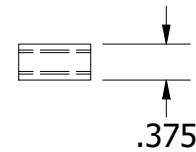
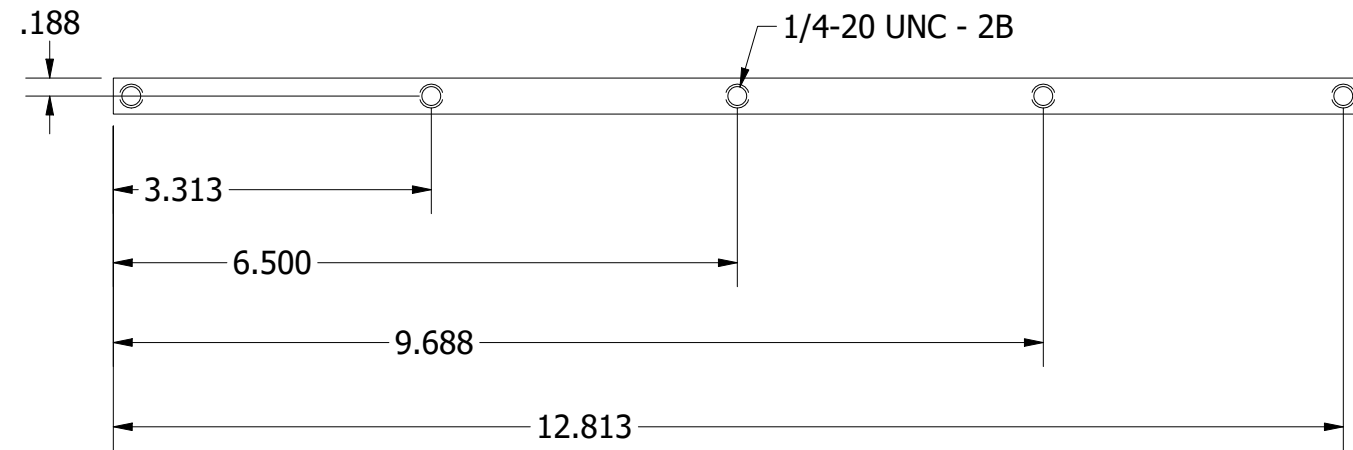
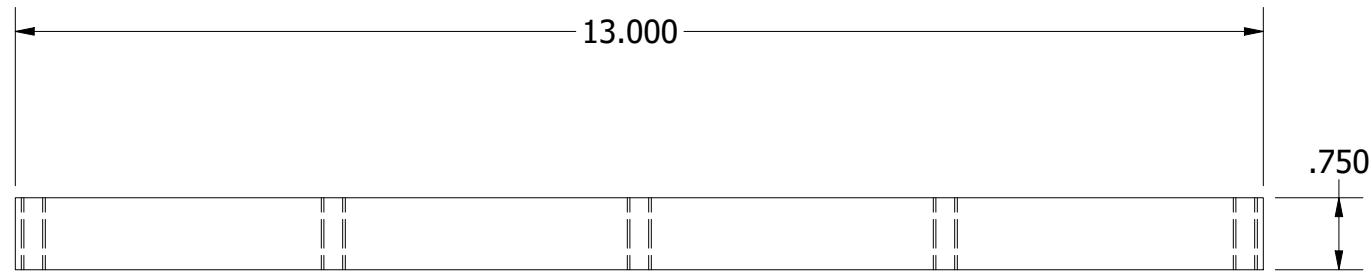



STUD SPACER PIPES
 ITEM# 2
 QTY. 4 RQD
 1-1/4" XXS PIPE

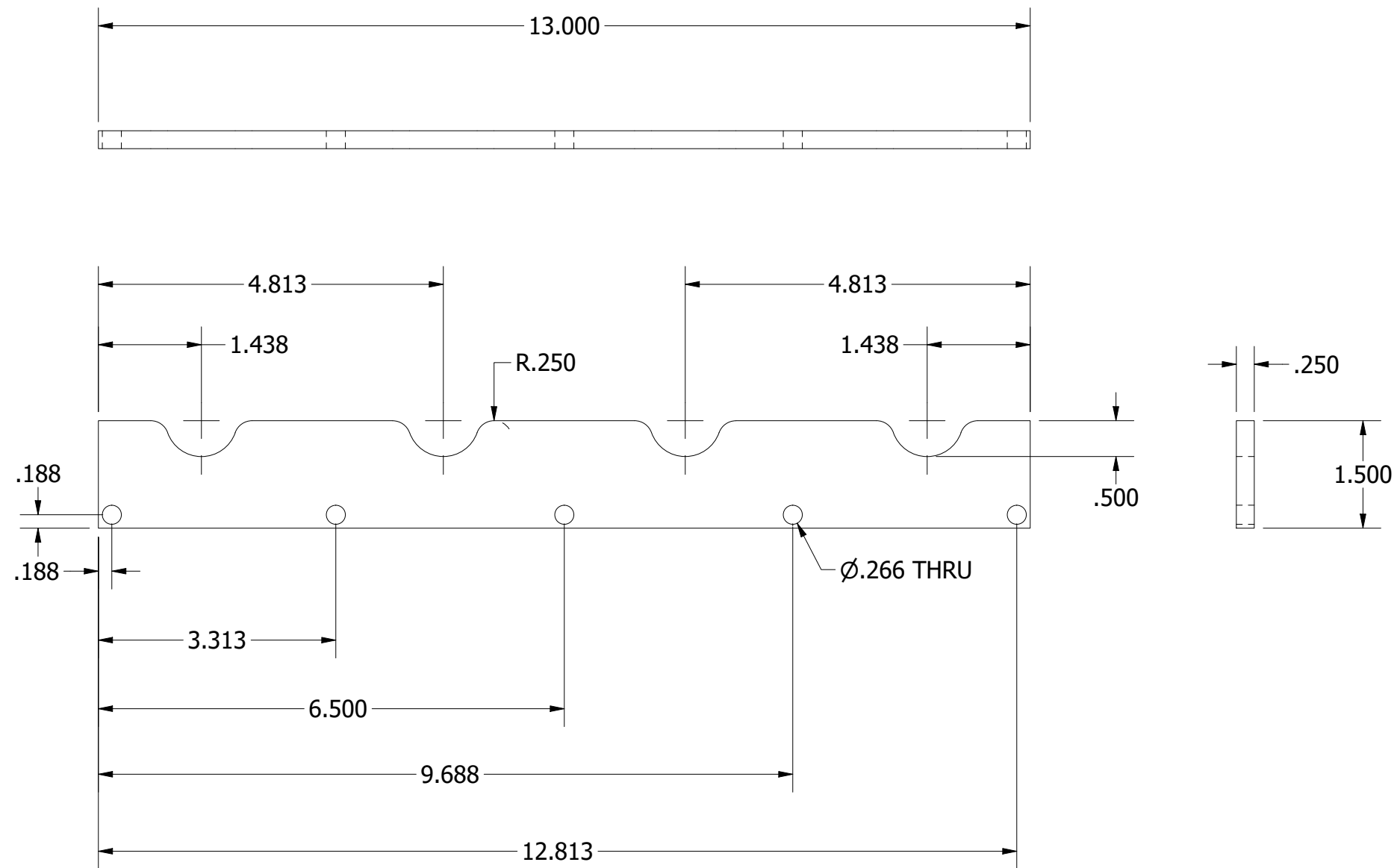



RCVR MOUNT
 ITEM# 6
 QTY. 1 RQD
 2"x2"x1/4" SQ TUBE

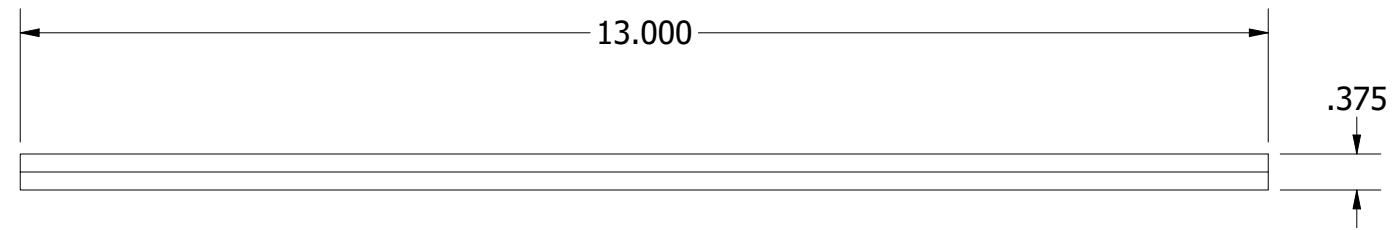





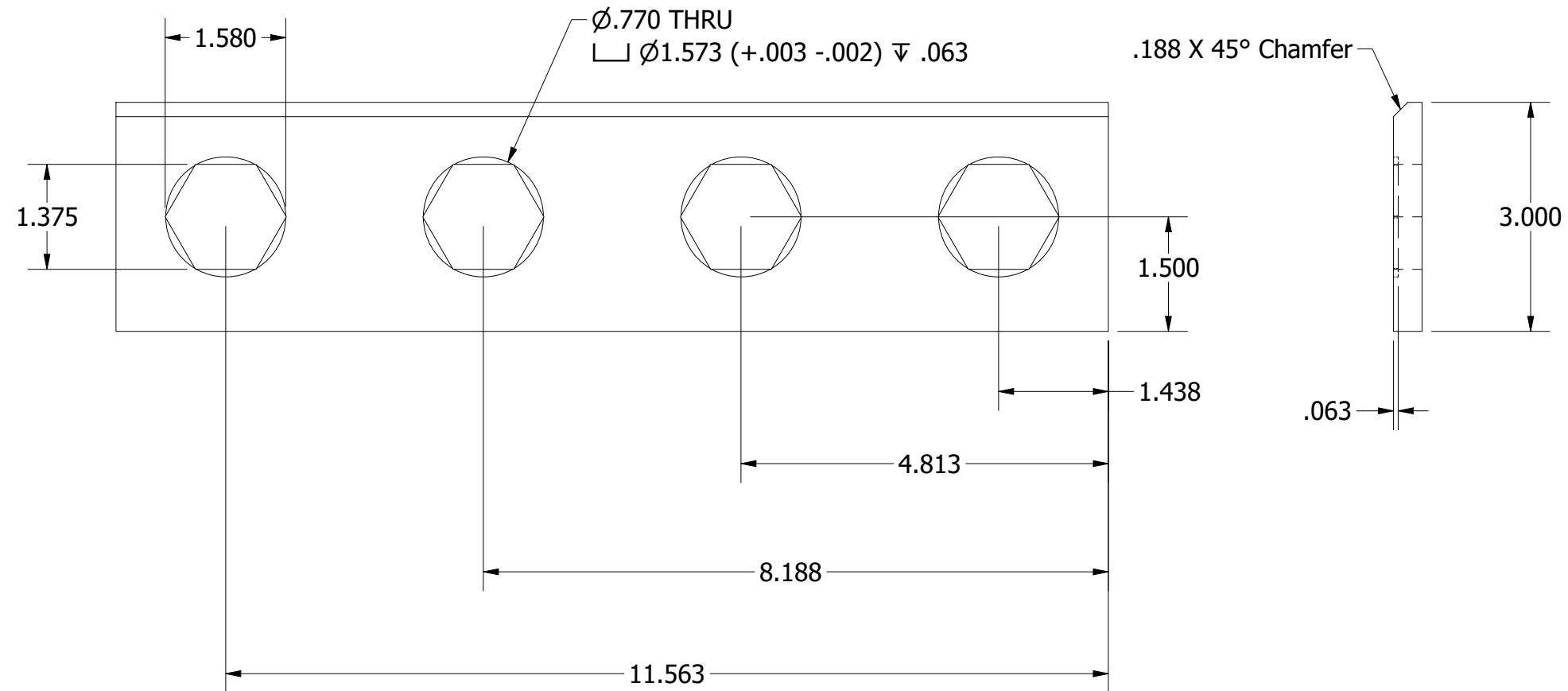
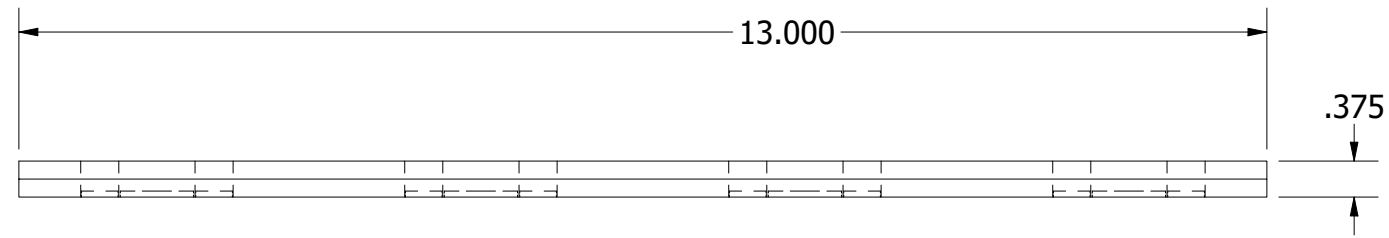
REV	CHKD	APPD	DATE	DESCRIPTION
A	SPD	SPD	9/21/20	ISSUED FOR FABRICATION
 METER ENGINEERS 1600 E Tigua Kechi, Kansas 67067				MATERIAL: 3/8" CARBON STEEL
				TITLE 3-BOLT K-FACTOR SYSTEM
				DRAWING NO. BOLT HOLD SPACER
PROJECT NO.				SHT 1 of 1
				SCALE 1 / 2




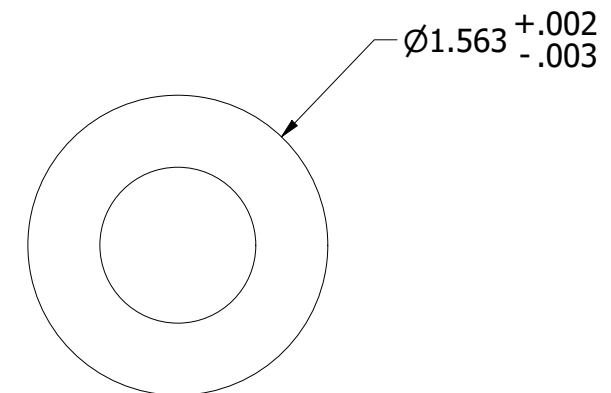
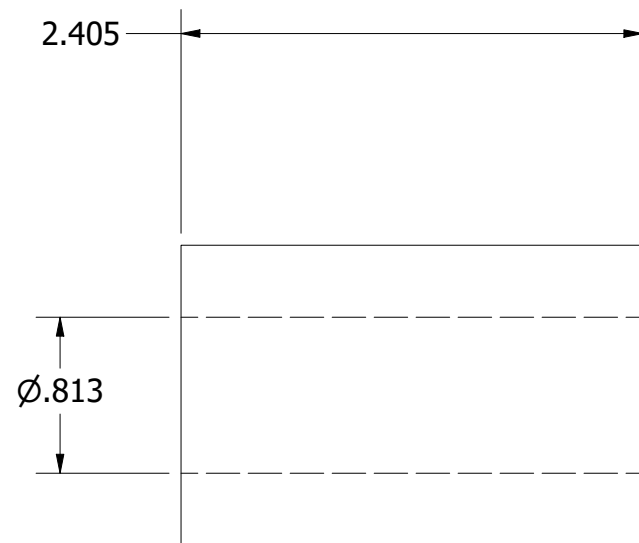
REV	CHKD	APPD	DATE	DESCRIPTION
A	SPD	SPD	9/21/20	ISSUED FOR FABRICATION
 METER ENGINEERS 1600 E Tigua Kechi, Kansas 67067				MATERIAL: 1/4" CARBON STEEL
				TITLE 3-BOLT K-FACTOR SYSTEM
				DRAWING NO. BOLT HOLD
PROJECT NO.				SHT 1 of 1
				SCALE 1 / 2




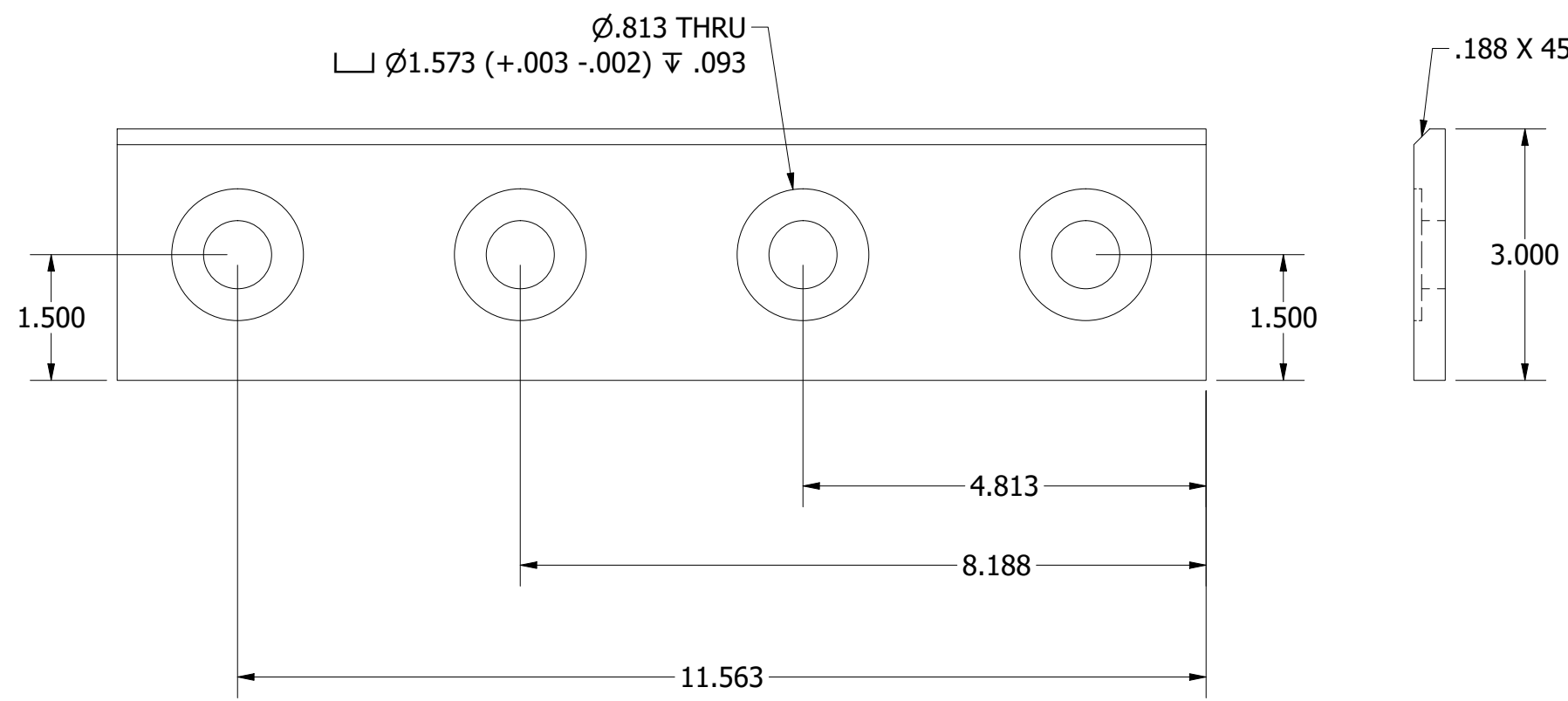
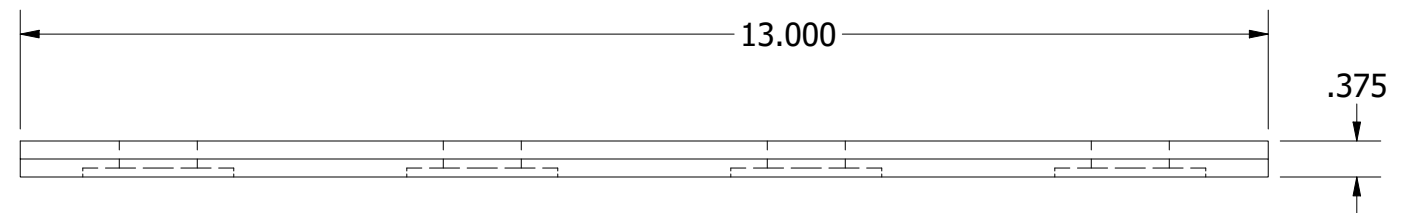
REV	CHKD	APPD	DATE	DESCRIPTION
A	SPD	SPD	9/21/20	ISSUED FOR FABRICATION
 METER ENGINEERS 1600 E Tigua Kechi, Kansas 67067				MATERIAL: 3/8" CARBON STEEL
				TITLE 3-BOLT K-FACTOR SYSTEM
				DRAWING NO. LOAD CELL BACK PLATE
				PROJECT NO.
				SHT 1 of 1
				SCALE 1 / 2




REV	CHKD	APPD	DATE	DESCRIPTION
A	SPD	SPD	9/21/20	ISSUED FOR FABRICATION
 METER ENGINEERS 1600 E Tigua Kechi, Kansas 67067				MATERIAL: 3/8" CARBON STEEL
				TITLE 3-BOLT K-FACTOR SYSTEM
DRAWING NO.				LOAD CELL BOTTOM PLATE
PROJECT NO.				SHT 1 of 1 SCALE 1 / 2



REV	CHKD	APPD	DATE	DESCRIPTION
A	SPD	SPD	9/21/20	ISSUED FOR FABRICATION
 METER ENGINEERS 1600 E Tigua Kechi, Kansas 67067				MATERIAL: CARBON STEEL
				TITLE 3-BOLT K-FACTOR SYSTEM
				DRAWING NO. LOAD CELL CYLINDER
				PROJECT NO.
				SHT 1 of 1
				SCALE 1 : 1



REV	CHKD	APPD	DATE	DESCRIPTION
A	SPD	SPD	9/21/20	ISSUED FOR FABRICATION
 <p>METER ENGINEERS</p> <p>1600 E Tigua Kechi, Kansas 67067</p>				MATERIAL: 3/8" CARBON STEEL
				TITLE 3-BOLT K-FACTOR SYSTEM
				DRAWING NO. LOAD CELL TOP PLATE
PROJECT NO.				SHT 1 of 1
				SCALE 1 / 2